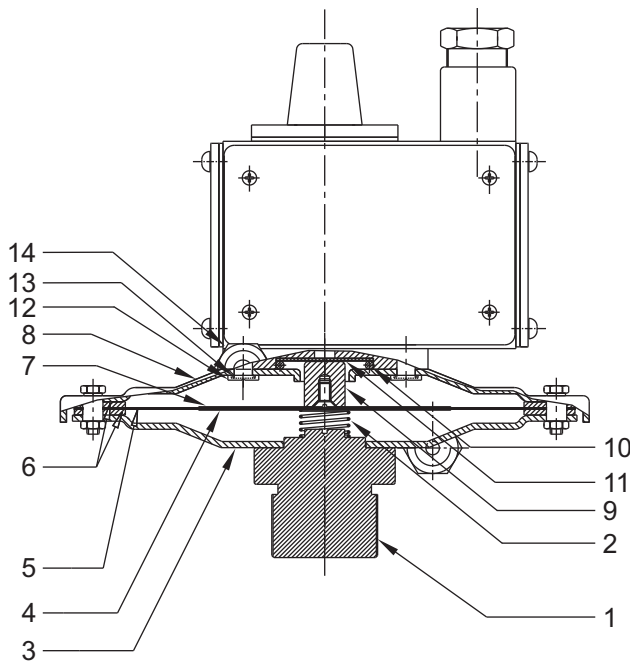


# PA LOW RANGE PRESSURE DIFFERENCE SWITCHES



## PRESSURE CAPSULE DETAILS



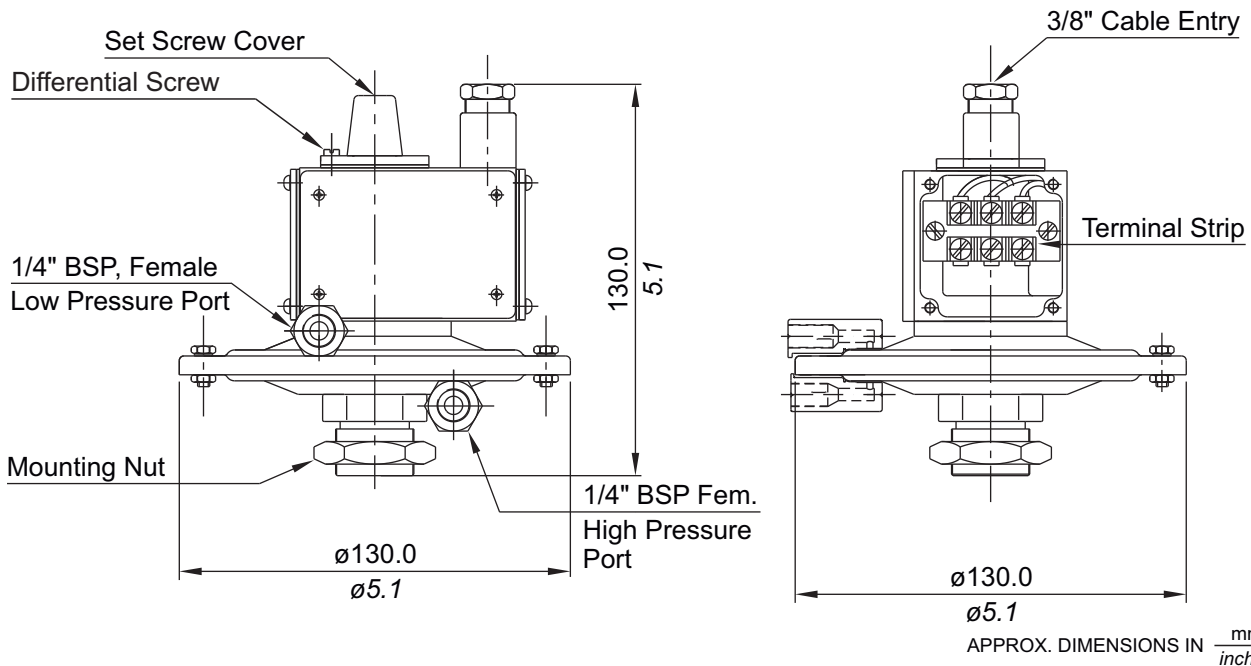
### No. Description

1. Pressure housing (M.S.)\*
2. Support spring (S.S.)
3. Bottom flange (M.S.)\*
4. Support plate (Aluminium)
5. Diaphragm (Neoprene)
6. Gasket (Nitrile)
7. Top plate (Aluminium)
8. Top flange (M.S.)\*
9. Transfer pin (Aluminium)
10. O' Ring (PTFE)
11. Sealing diaphragm (PTFE)
12. Top flange screw (M.S.)
13. Sealing 'O' Ring (Nitrile)
14. Low Pressure Port(M.S)
15. High Pressure Port(M.S)

\*Pressure housing is brazed with bottom flange

Note : *wetted parts* are mentioned in italics.

## INSTALLATION DRAWING



# LOW RANGE PRESSURE DIFFERENCE SWITCHES PA

## General information:

PA series pressure switches are housed in pressure die cast aluminium powder coated enclosure and are recommended for panel mounting or outdoor service, based on the type of enclosure opted for. The on-off differential can be varied in this switch, within the limits specified. The repeat accuracy is better than  $\pm 2\%$  FSR. A separate terminal block is provided for electrical wiring. Pressure ports are 1/4" BSPF standard.

## FEATURES :

- Compact
- Separate chamber for working parts
- Electrical rating : 5A, 250VAC; 0.2A, 250 VDC (res.)
- High pressure port : 1/4" BSPF
- Low pressure port : 1/4" BSPF
- Can be used for  $\Delta p$  between +ve +ve, -ve +ve & -ve -ve pressure/vacuum

**Some Applications :** Used in bag filter operations requiring cutin/cutoff to stop and start air purging cycles, etc.

## Range Selection Table

Range Code	†Range mm wg ("wc)	* Adjustable Differential mm wg ("wc)	Maximum Working Pressure bar (psi)
L02	20 - 150 (0.787 - 5.905)	30 - 100 (1.181 - 3.937)	2 (29.00)
L03	50 - 250 (1.969 - 9.843)	50 - 250 (1.969 - 9.843)	2 (29.00)
L05	100 - 500 (3.937 - 19.685)	50 - 300 (1.969 - 11.811)	2 (29.00)
L10	100 - 1000 (3.937 - 39.370)	100 - 600 (3.937 - 23.622)	2 (29.00)
L15	100 - 1500 (3.937 - 59.055)	125 - 900 (4.921 - 35.433)	2 (29.00)
L25	200 - 2500 (7.874 - 98.425)	150 - 1500 (5.906 - 59.055)	2 (29.00)

\*Minimum differential increases with setpoint (Graphs available on request)

†Rising pressure for MN series, falling pressure for MA series

## How to order PA low range pressure difference switches

Group 1	Group 2	Group 3	Group 4	Group 5	Group 6
Model	Range Code	Range Scale	Pressure Housing	Diaphragm	Enclosure
PA - Pressure Difference Switch (Adjustable Differential)	L - Low Pressure Range	U - Uncalibrated C - Calibrated	M - Mild Steel S - SS316	0 - Neoprene	0 - Standard (IP 54) 1 - IP 65 as per IS60529

Eg. A pressure difference switch (Adjustable Differential), low range pressure from 100 to 500 mm WC in calibrated style with mild steel pressure housing and neoprene diaphragm as wetted parts, with standard enclosure shall be specified by

Group 1	Group 2	Group 3	Group 4	Group 5	Group 6
PA	L05	C	M	0	0

Please specify full model number to avoid ambiguity. If only the first two groups are specified while ordering, uncalibrated switches with standard wetted parts and enclosures will be supplied.